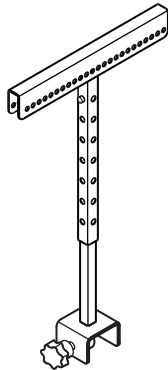
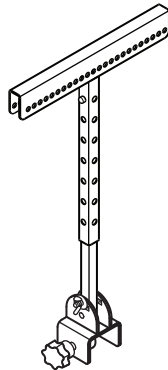


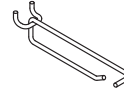
A Table-Top Adjustable Height



B Adjustable Height

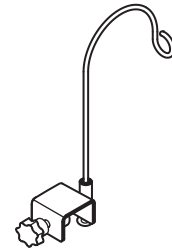


C Adjustable Height and Angle



D Wire Peg Hook

*Use with FFR Merchandising Strips



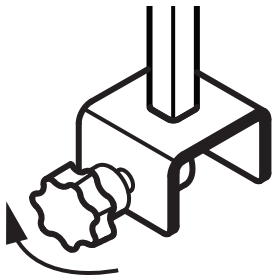
E Self-Centering*



F Hanger*

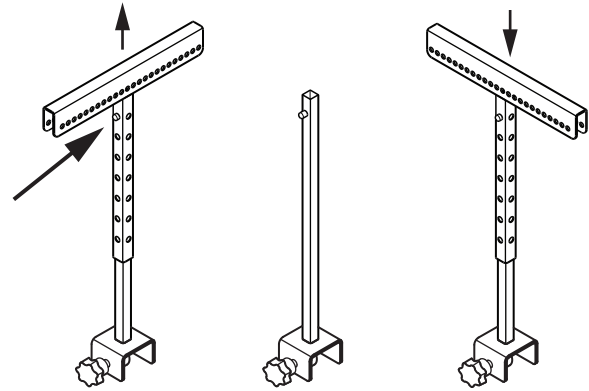
Attach to Fixture: **B C E F**

Turn knob on the base to mount to fixture.



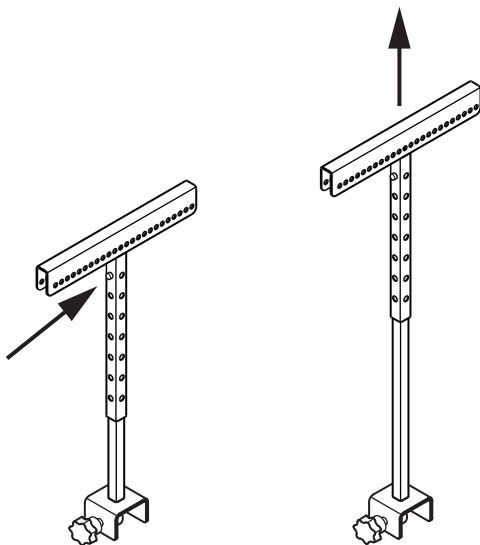
Adjust Direction of Merchandiser: **A B C**

Push in metal snap button to remove "T". Rotate and then follow step to Adjust Height.



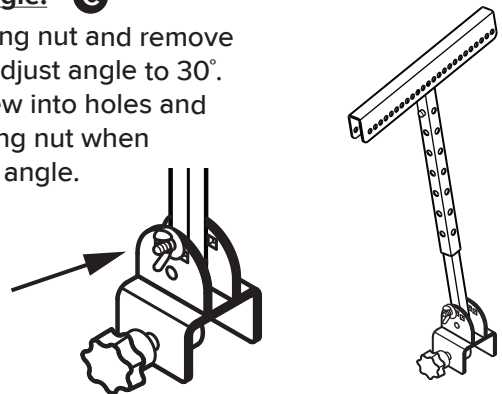
Adjust Height: **A B C**

Push in metal snap button to raise or lower the unit by locking into hole at desired height.



Adjust Angle: **C**

Loosen wing nut and remove screw to adjust angle to 30°. Insert screw into holes and tighten wing nut when at desired angle.



Install Wire Peg Hook: **A B C**

Insert wire peg hooks into holes at the top of the unit in desired location. Repeat on opposite side.

